

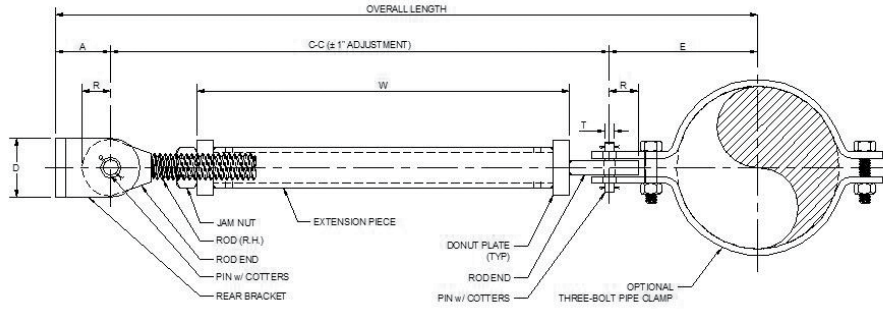


FIG. 2120

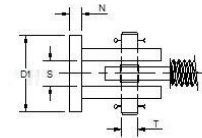
MINI SWAY STRUT

ENGINEERED SPRING SUPPORTS

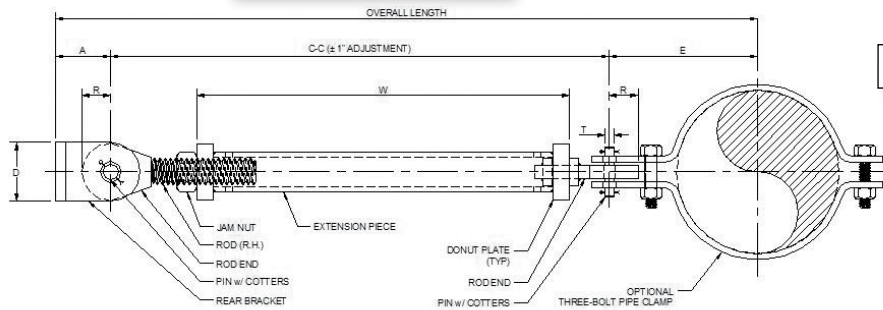
www.pipingtech.com/fig2120



STYLE 1 MINI-STRUT



REAR BRACKET DETAIL



STYLE 2 MINI-STRUT

NOTE: OPTION "1" AS SHOW WITH CLAMP; OPTION "2": PROVIDED WITH TWO END BRACKETS

ORDERING: Specify figure number, size, type, description, nominal pipe size or special O.D. and C-to-C dimension.

SIZE	LOAD	ROD END	EXT. PIECE PIPE SIZE	A	C-C (Style 1)		C-C (Style 2)		D	D1	N	R	S	T
					MIN.	MAX.	MIN.	MAX.						
A	650	3/4	1" SCH.80	1 1/2	8 1/8	9 3/4	9 5/8	18 3/4	1 5/8	1 3/4	1/4	1	3/4	0.497 0.495
B	1,500	1	1 1/2" SCH.40	2 3/8	9 3/4	11 1/2	11 1/2	20 1/2	2 1/4	2 7/8	3/8	1 1/8	1 1/8	0.747 0.745
C	4,500	1	2" SCH.40	2 3/4	10	12	11 1/2	20 1/2	2 1/2	3 3/8	1/2	1 1/2	1 1/8	0.745 0.745
1	8,000	1 1/4	2" SCH.160	3 3/4	11 1/8	13 1/4	13 1/8	24	3	4 3/8	3/4	1 3/4	1 3/8	0.997 0.995
2	11,630	1 1/2	2 1/2" SCH.160	3	11 3/4	14 1/2	14 1/4	25	3 1/2	5 3/8	3/4	1 3/4	1 1/2	0.997 0.995
3	15,700	1 3/4	2 1/2" SCH.160	5 5/16	13 3/8	16	15 7/8	25 1/2	5 7/16	4 11/16	1	2	1 13/16	1.248 1.246
4	20,700	2	3" SCH.160	5 5/16	15 1/2	19	18 1/2	29 1/2	5 7/16	4 11/16	1	2 1/2	1 13/16	1.248 1.246
5	27,200	2 1/4	3" SCH.160	6	16 7/8	20 1/2	20 3/8	32 1/2	5 9/16	6	1 1/4	2 1/2	2 1/8	1.498 1.496
6	33,500	2 1/2	4" SCH.160	6 3/4	18 1/4	23	22 1/4	35 1/2	6 1/8	6 9/16	1 3/4	3	2 3/16	1.748 1.746
7	68,200	3	4" SCH.160	6	20	24	24	38 1/2	7 1/8	5 3/4	2	3 1/2	2 3/8	1.998 1.996

* All struts provided with +/- 1" adjustment from specified C-C dimension

VLDEVICES.XLS-04/22/17