

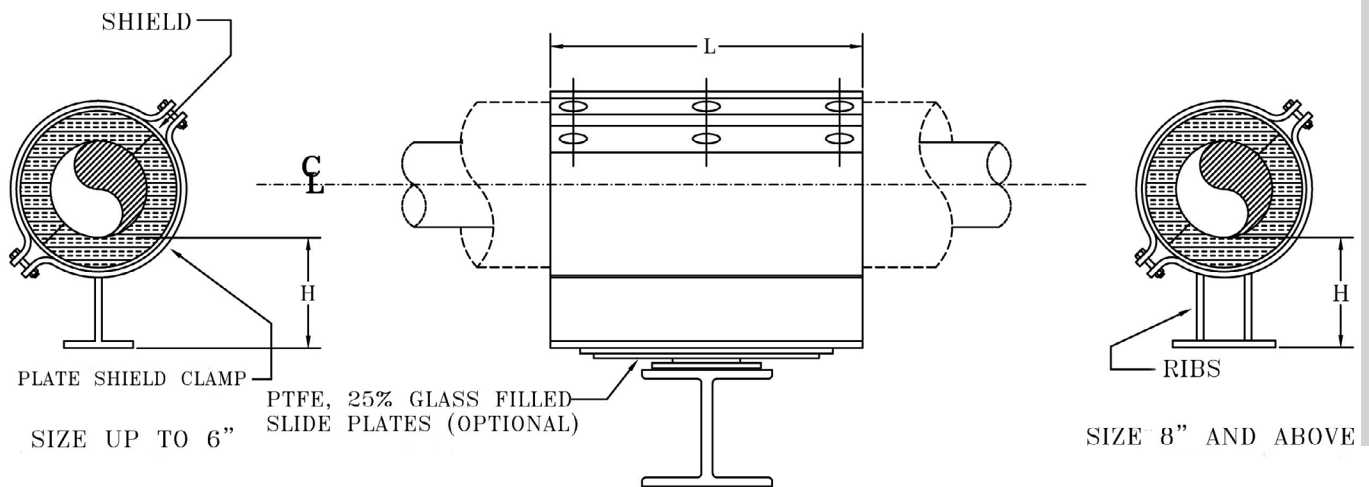


FIG. 4500

INSULATED SHOESUPPORT FOR HOT PIPE (HOT SHOE)

www.pipingtech.com/fig4500

- MATERIAL:** Shield and Jacket - Galvanized carbon steel.
Insulation - Asbestos free calcium silicate and/or high density calcium silicate.
- BONDING:** Insulation, galvanized jacket and shield can be bonded per customer specifications.
- OPTIONS:** Support design can be modified for length, insulation thickness, higher load and axial movement.
Slide plates are available upon request. Please specify by "-SL" after figure number.
- ORDERING:** Specify figure number, pipe size, description, insulation, thickness, and slide plate material, if desired.



FABRICATED PIPE SHOES & ANCHORS

PIPE SIZE	H (in.)	L (in.)	AXIAL MVMT. (in.)	LOAD CAPACITY (lb.)	APPROX. WEIGHT (lb.)
3	4	12	4	350	39
4	4	12	4	375	50
6	4	12	4	675	77
8	4	12	4	900	99
10	4	12	4	1,100	108
12	4	12	4	1,325	122
14	4	12	4	1,500	127
16	4	12	4	1,700	137
18	4	12	4	1,875	191
20	4	12	4	2,075	205
24	4	12	4	2,500	232

PIPESHOES02.XLS-07/17/09

"H" dimension given above is based on 2" insulation thickness. Please mention in your inquiry if it is different than listed above. Contact us for your requirements other than those listed above.