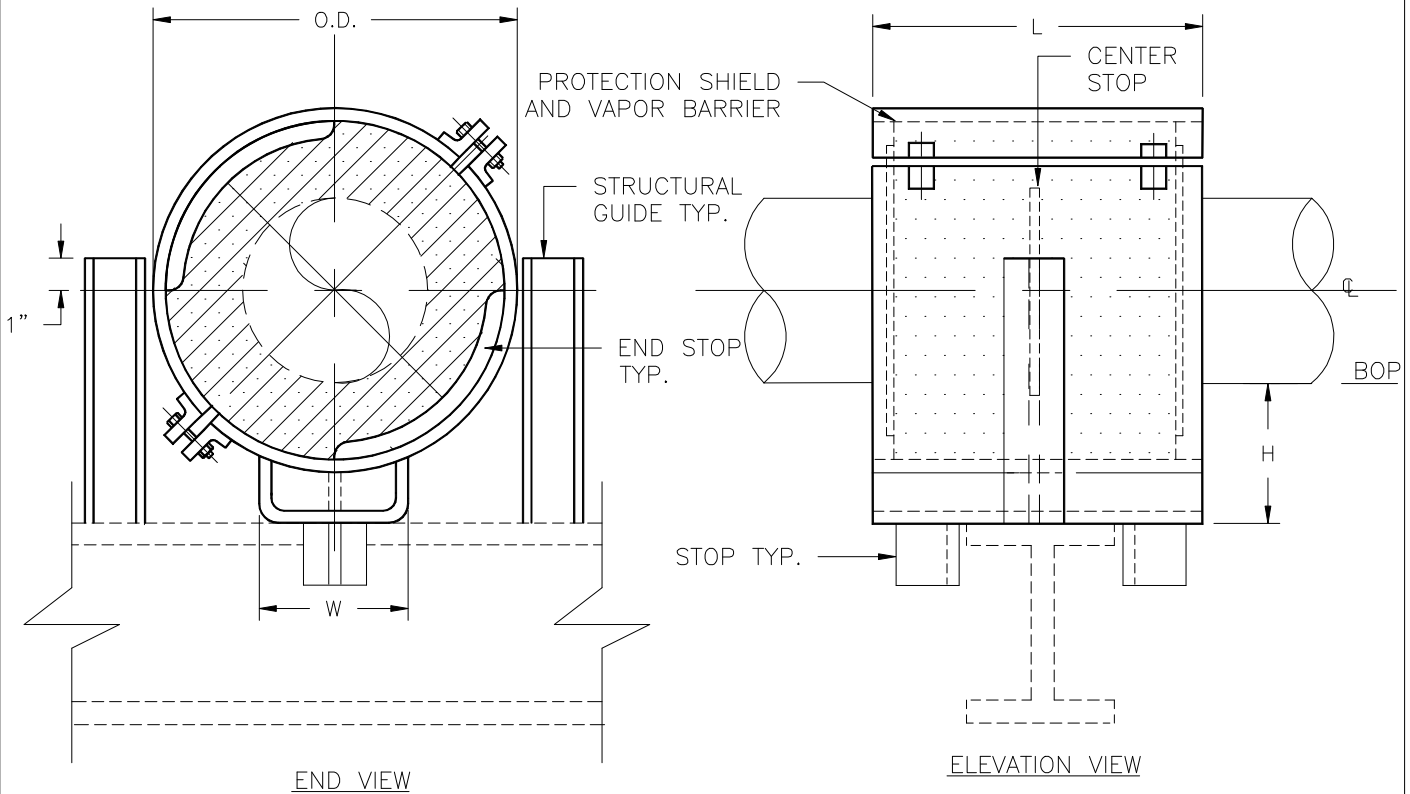


## SPECIFICATIONS

INSULATION THK: \_\_\_\_\_  
 SHOE LENGTH: \_\_\_\_\_  
 LOADS: VERTICAL \_\_\_\_\_  
           LATERAL \_\_\_\_\_  
           AXIAL \_\_\_\_\_  
 TEMPERATURE: \_\_\_\_\_



Design, PT&P 6/2/1999 11:22 AM HS-2023

## NOTES

FUNCTION:	USE TO SUPPORT VERTICAL AND AXIAL LOADS WHILE LIMITING LARGE LATERAL MOVEMENTS WITH THE USE OF GUIDES AND STOPS. MOVEMENT OF PIPE INSIDE THE HOTSHOE LIMITED BY CENTER STOP AND END STOPS. - -
PIPE SIZE:	8" TO 20" NPS.
MATERIAL:	GALVANIZED OR HDG CARBON STEEL
INSULATION:	HIGH DENSITY CALCIUM SILICATE -
TEMP. RANGE:	AMBIENT TO 1200°F
LAYERING SY.:	SEE LAYERING CHARTS
SHOE LTH,(L):	STANDARD SHOE AVAILABLE IN 12" & 18" LENGTHS
TO ORDER:	SPECIFY PIPE SIZE, INSULATION THK., LENGTH HENCE: (HS-2023)-NPS-THK.-L
LOADS:	ALL LOADS ON ADJACENT CHART HAVE A SAFETY FACTOR OF 5

FIGURE#: HS-2023  
 DESCRIPTION: ANCHOR TYPE SHOE, U-TYPE BASE, STRUCTURAL STOPS AND GUIDES

CLIENT NAME: \_\_\_\_\_  
 PROJECT NAME: \_\_\_\_\_  
 REQUISITION#: \_\_\_\_\_  
 P.O.#: \_\_\_\_\_  
 DWG#: \_\_\_\_\_  
 MARK#: \_\_\_\_\_  
 PT&P JOB#: \_\_\_\_\_ ITEM#: \_\_\_\_\_  
 DATE: \_\_\_\_\_

## PIPING TECHNOLOGY & PRODUCTS, INC.

P.O. BOX 34506                      HOUSTON TEXAS 77234  
 3701 HOLMES RD.                    HOUSTON TEXAS 77051  
 TELE#:(713)731-0030                FAX#:(713)731-8640  
 http://www.pipingtech.com/      E-MAIL: info@pipingtech.com





Clamped Sliding Hotshoes for Power Plant

Pipe size	Vertical Load(lbs)	Vertical Load(lbs)	Insulation Thickness															
			1"				1-1/2"				2"				2-1/2"			
			W	Axial load (lbs.)	O.D.	H	W	Axial load (lbs.)	O.D.	H	W	Axial load (lbs.)	O.D.	H	W	Axial load (lbs.)	O.D.	H
8"	4290	6435	6-1/2"	4536	11-1/2"	4"	7"	5419	12-1/2"	4"	7-1/2"	5890	13-1/2"	4"	8-1/8"	7693	14-3/4"	6"
10"	5347	8020	7-1/2"	6381	13-1/2"	4"	8-1/8"	7693	14-3/4"	4"	8-5/8"	8831	15-3/4"	4"	9-1/8"	10048	16-3/4"	6"
12"	6342	9512	8-1/2"	8831	13-15/16"	4"	9-1/8"	10048	16-3/4"	4"	9-5/8"	11343	17-3/4"	4"	10-1/8"	12717	18-3/4"	6"
14"	6963	10445	9-1/2"	10048	17"	4"	10"	11343	18"	4"	10-1/2"	12717	19"	4"	11"	14169	20"	6"
16"	7958	11937	10-1/2"	12717	19"	4"	11"	14169	20"	4"	11-1/2"	15700	21"	6"	12"	17309	22"	6"
18"	8953	13429	11-1/2"	15700	21"	4"	12"	17309	22"	4"	12-1/2"	18997	23"	6"	13"	20763	24"	6"
20"	9948	14921	12-1/2"	18997	23"	4"	13"	20763	24"	4"	13-1/2"	22608	25"	6"	14"	24531	26"	6"

Pipe size	Vertical Load(lbs)	Vertical Load(lbs)	Insulation Thickness											
			3"				3-1/2"				4"			
			W	Axial load (lbs.)	O.D.	H	W	Axial load (lbs.)	O.D.	H	W	Axial load (lbs.)	O.D.	H
8"	1668	3575	8-5/8"	8831	15-3/4"	6"	9-1/8"	10048	16-3/4"	6"	9-5/8"	11343	17-3/4"	6"
10"	3119	4456	9-5/8"	11343	17-3/4"	6"	10-1/8"	12717	18-3/4"	6"	10-5/8"	14169	19-3/4"	6"
12"	3699	5285	10-5/8"	14169	19-3/4"	6"	11-1/8"	15700	20-3/4"	6"	11-5/8"	17309	21-3/4"	6"
14"	4062	5803	11-1/2"	15700	21"	6"	12"	17309	22"	6"	12-1/2"	18997	23"	6"
16"	4642	11053	12-1/2"	18997	23"	6"	13"	20763	24"	6"	13-1/2"	22608	25"	8"
18"	8704	12434	13-1/2"	22608	25"	6"	14"	24531	26"	6"	14-1/2"	26533	27"	8"
20"	9671	13816	14-1/2"	26533	27"	6"	15"	28613	28"	6"	15-1/2"	30772	29"	8"