

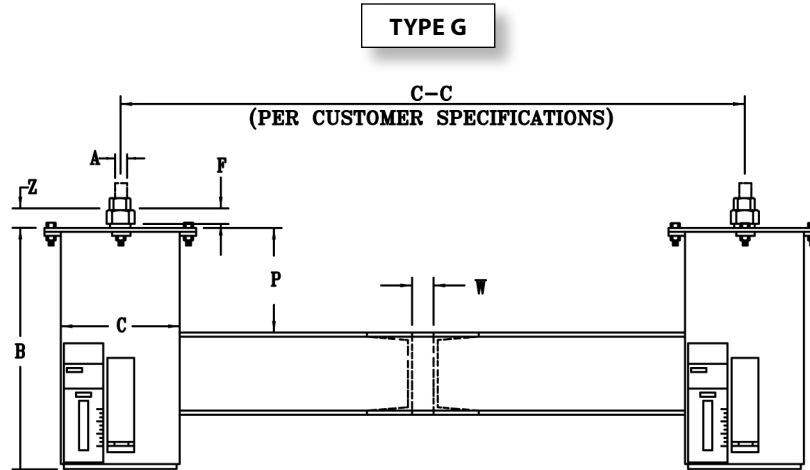


FIG. PTP-1

SHORT VARIABLE SPRINGS

www.pipingtech.com/ptp1-g

ENGINEERED SPRING SUPPORTS



ORDERING: Specify figure number, size, type, description, type, operating load and calculate amount & direction of pipe movement from installed to operating position. Please specify any non-standard requirements, i.e. internally guided load column, jacking bolt, lifting lugs, etc.

HANGER SIZE	TYPE G										
	APPROX. WEIGHT	ROD SIZE	CASING LENGTH	CASING DIA.	MIN. THREAD ENGAGEMENT	MAX. PIPE SIZE	MAX. C-C DIM.	CHANNEL SIZE	SPACING BETWEEN CHANNELS	P	Z
	lb.	A	B	C	F			W			
00	25	1/2	4 5/8	4	7/8	12	24	C3 x 4.1	5/8	1	1 1/16
10	25	1/2	4 7/8	4	7/8	12	24	C3 x 4.1	5/8	1	1
20	27	1/2	5 1/2	4	7/8	12	24	C3 x 4.1	5/8	1	1 1/16
30	29	1/2	5	5 9/16	7/8	16	30	C3 x 4.1	3/4	1	1 1/8
40	31	1/2	5 3/8	5 9/16	7/8	16	30	C3 x 4.1	3/4	1	15/16
50	32	1/2	5 3/4	5 9/16	7/8	16	30	C3 x 4.1	3/4	1	1 1/8
60	45	5/8	5 3/4	6 5/8	1 1/16	20	36	C3 x 4.1	1	2	1 7/16
70	51	5/8	6 3/8	6 5/8	1 1/16	20	36	C3 x 4.1	1	2	1 1/2
80	53	5/8	6 5/8	6 5/8	1 1/16	20	36	C3 x 4.1	1	2	1 5/8
90	105	3/4	7	8 5/8	1 5/16	20	36	C4 x 5.4	1 1/4	2	1 1/4
100	117	3/4	7 1/2	8 5/8	1 5/16	20	36	C4 x 5.4	1 1/4	2	1 1/16
110	101	3/4	6 3/16	8 5/8	1 5/16	20	36	C4 x 5.4	1 1/4	2	2 1/16
120	112	1	6 3/4	8 5/8	1 9/16	20	36	C5 x 6.7	1 1/2	1 1/2	2 5/16
130	134	1	8 1/8	8 5/8	1 3/4	20	36	C5 x 6.7	1 1/2	3	1 5/8
140	139	1 1/4	8 5/8	8 5/8	1 3/4	16	33	C5 x 6.7	1 1/2	3	1 7/8
150	172	1 1/4	8 1/2	8 5/8	1 7/8	20	36	C6 x 10.5	2 1/8	1	2 15/16
160	202	1 1/2	10	8 5/8	2 3/16	20	36	C8 x 11.5	2 1/8	2	3 1/2
170	238	1 3/4	11 1/4	8 5/8	2 7/16	20	36	C8 x 11.5	2 1/8	2	4 5/16
180	488	2	14 3/8	12 3/4	2 13/16	20	42	C12 x 20.7	2 3/8	1/2	2 5/8
190	539	2 1/4	15 3/8	12 3/4	3 1/16	20	42	C12 x 20.7	2 5/8	1	2 7/8
200	669	2 1/2	19 1/4	12 3/4	3 5/16	20	40	C12 x 20.7	2 7/8	1	2 7/8
210	827	2 3/4	19 7/8	12 3/4	3 11/16	24	48	C15 x 33.9	3 1/8	1	3 1/8
220	1,006	3	24 1/8	12 3/4	3 15/16	24	48	C15 x 33.9	3 3/8	3	3 3/8

SPRING.XLS-08/14/09