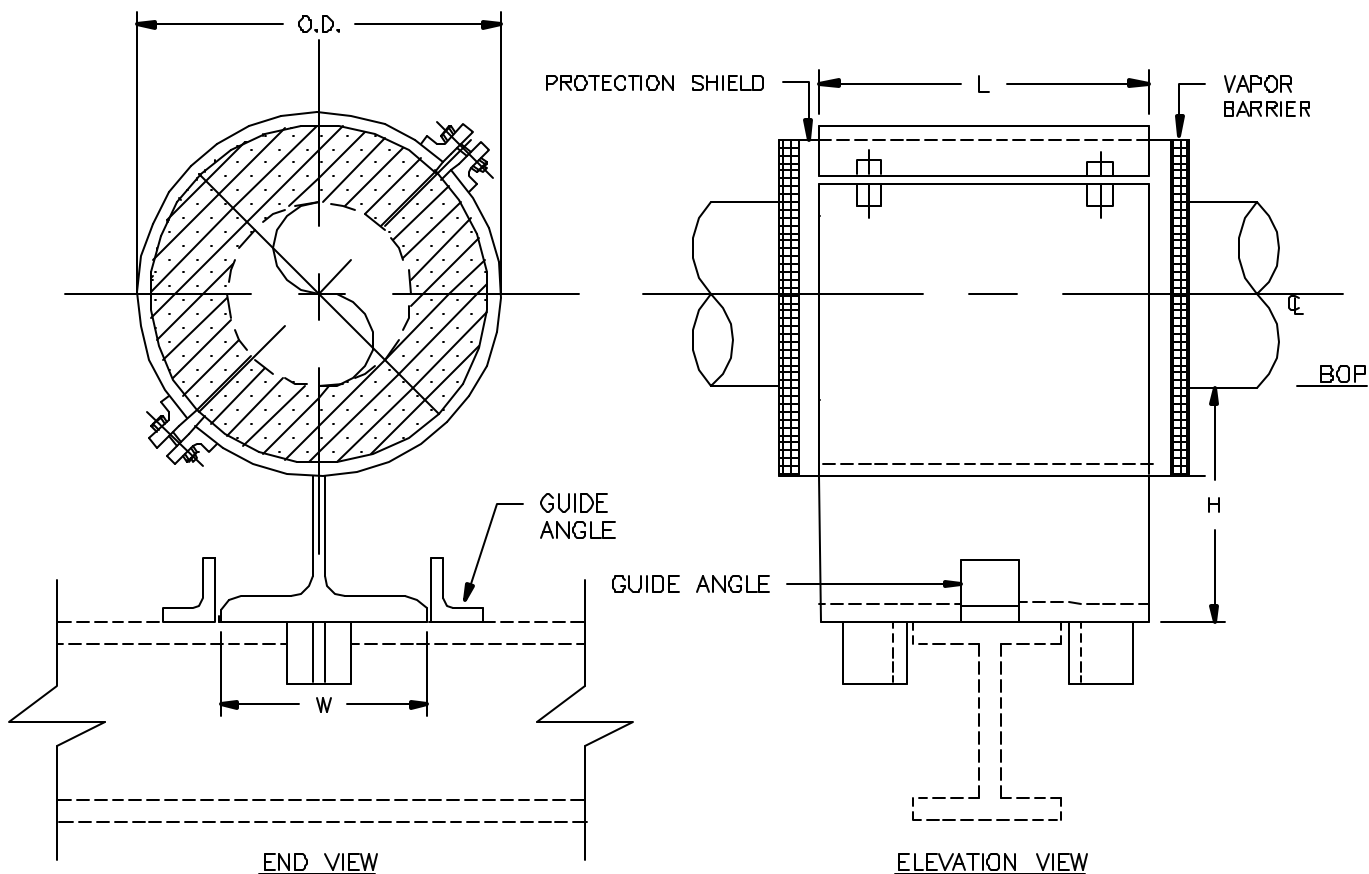


SPECIFICATIONS

INSULATION THK: _____
 SHOE LENGTH: _____
 LOADS: VERTICAL _____
 LATERAL _____
 AXIAL _____
 TEMPERATURE: _____



Design: PT&P 5/28/1999 2:16 PM CS-2011

NOTES

FIGURE#: CS-2011 (CRYOSHOE™)
 DESCRIPTION ANCHOR TYPE SHOE, SPLIT-T BASE, STOPS AND GUIDES

FUNCTION: USE TO SUPPORT VERTICAL LOADS WHILE LIMITING AXIAL & LATERAL MOVEMENT WITH THE USE OF GUIDES AND STOPS. MOVEMENT OF PIPE INSIDE THE COLD SHOE LIMITED BY CLAMPING FORCE

CLIENT NAME: _____
 PROJECT NAME: _____
 REQUISITION#: _____
 P O #: _____
 DWG#: _____
 MARK#: _____
 PT&P JOB#: _____ ITEM#: _____
 DATE: _____

PIPE SIZE: 1/2" TO 6" NPS.
MATERIAL: GALVANIZED OR HDG CARBON STEEL
INSULATION: HIGH DENSITY POLYURETHANE WITH VAPOR BARRIER

TEMP. RANGE: AMBIENT TO -300°F
LAYERING SY.: SEE LAYERING CHARTS
SHOE LTH.(L): STANDARD SHOE AVAILABLE IN 12" & 18" LENGTHS

TO ORDER: SPECIFY PIPE SIZE, INSULATION THK., LENGTH
 HENCE: (CS-2011)-NPS-THK.-L

LOADS: ALL LOADS ON ADJACENT CHART
 HAVE A SAFETY FACTOR OF 5

PIPING TECHNOLOGY & PRODUCTS, INC.

P.O. BOX 34506 HOUSTON TEXAS 77234
 3701 HOLMES RD. HOUSTON TEXAS 77051
 TELE#:(713)731-0030 FAX#:(713)731-8640
 http://www.pipingtech.com/ E-MAIL: info@pipingtech.com





"Blanks" used in the fabrication of Resting Coldshoes

Pipe size	L=12" Vertical Load(lbs)	L=18" Vertical Load(lbs)	Insulation Thickness															
			1"			1-1/2"			2"			2-1/2"						
			W	Axial load (lbs.)	O.D.	H	W	Axial load (lbs.)	O.D.	H	W	Axial load (lbs.)	O.D.	H	W	Axial load (lbs.)	O.D.	H
1/2"	162	232	3"	169	3-1/8"	4"	4"	169	4-1/4"	4"	4"	169	5-1/4"	4"	4"	169	6-7/8"	4"
3/4"	203	290	3"	211	3-1/8"	4"	4"	211	4-1/4"	4"	4"	211	5-1/4"	4"	4"	211	6-7/8"	4"
1"	254	363	4"	265	3-3/4"	4"	4"	265	4-3/4"	4"	4"	265	5-13/16"	4"	4"	265	6-7/8"	4"
1-1/4"	321	459	4"	334	3-3/4"	4"	5"	334	5-1/4"	4"	4"	334	5-13/16"	4"	4"	334	6-7/8"	4"
1-1/2"	368	525	4"	383	4-1/4"	4"	4"	383	5-1/4"	4"	4"	383	6-7/8"	4"	4"	383	7-7/8"	4"
2"	459	656	4"	478	5"	4"	4"	478	6-1/16"	4"	4"	478	7-1/4"	4"	4"	478	8-1/8"	4"
2-1/2"	556	794	4"	579	5-1/2"	4"	4"	579	7-1/8"	4"	4"	579	8-1/8"	4"	4"	579	9-1/8"	4"
3"	677	967	4"	705	6-1/16"	4"	4"	705	7-1/8"	4"	4"	705	8-1/8"	4"	4"	705	9-1/8"	4"
3-1/2"	774	1105	4"	806	7-1/8"	4"	4"	806	8-1/8"	4"	4"	806	9-1/8"	4"	4"	806	10-1/8"	4"
4"	870	1243	4"	907	7-1/8"	4"	4"	907	8-1/8"	4"	4"	907	9-1/8"	4"	4"	907	10-1/8"	4"
5"	1076	1537	4"	1121	8-1/8"	4"	4"	1121	9-1/8"	4"	4"	1121	10-1/8"	4"	4"	1121	11-1/4"	4"
6"	1281	1831	4"	1335	9-15/16"	4"	4"	1335	10-3/8"	4"	4"	1335	11-1/2"	4"	4"	1335	12-1/2"	4"

Pipe size	L=12" Vertical Load(lbs)	L=18" Vertical Load(lbs)	Insulation Thickness											
			3"				3-1/2"				4"			
			W	Axial load (lbs.)	O.D.	H	W	Axial load (lbs.)	O.D.	H	W	Axial load (lbs.)	O.D.	H
1/2"	162	232	4"	169	7-7/8"	6"	4"	169	8-7/8"	6"	4"	169	9-7/8"	6"
3/4"	203	290	4"	211	7-7/8"	6"	4"	211	8-7/8"	6"	4"	211	9-7/8"	6"
1"	254	363	4"	265	7-7/8"	6"	4"	265	8-7/8"	6"	4"	265	9-7/8"	6"
1-1/4"	321	459	4"	334	7-7/8"	6"	4"	334	8-7/8"	6"	4"	334	9-7/8"	6"
1-1/2"	368	525	4"	383	8-7/8"	6"	4"	383	9-7/8"	6"	4"	383	11"	6"
2"	459	656	4"	478	9-1/8"	6"	4"	478	10-1/8"	6"	4"	478	11-1/4"	6"
2-1/2"	556	794	4"	579	10-1/8"	6"	4"	579	11-1/4"	6"	4"	579	12-1/4"	6"
3"	677	967	4"	705	10-1/8"	6"	4"	705	11-1/4"	6"	4"	705	12-1/4"	6"
3-1/2"	774	1105	4"	806	11-1/4"	6"	4"	806	12-1/4"	6"	4"	806	13-1/4"	6"
4"	870	1243	4"	907	11-1/4"	6"	4"	907	12-1/4"	6"	4"	907	13-1/4"	6"
5"	1076	1537	4"	1121	12-1/4"	6"	4"	1121	13-1/4"	6"	4"	1121	14-1/2"	6"
6"	1281	1831	4"	1335	13-1/2"	6"	4"	1335	14-3/4"	6"	4"	1335	15-3/4"	6"