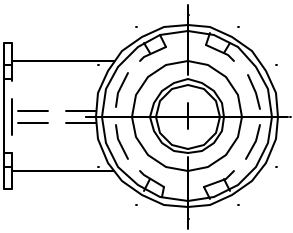
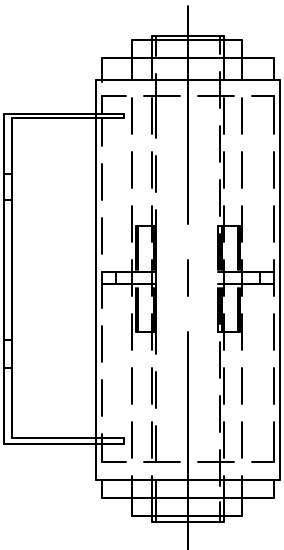


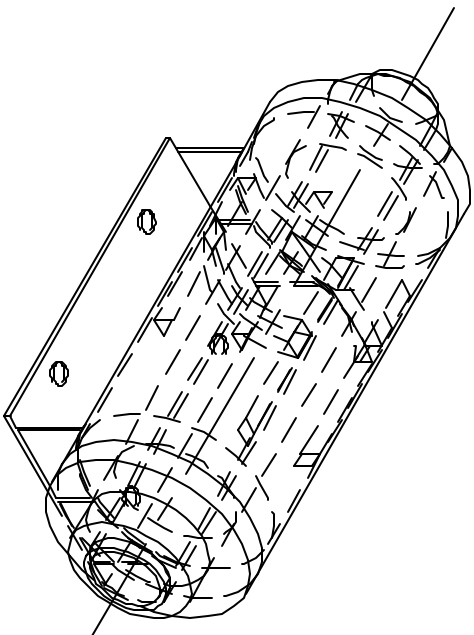
**TOP VIEW**



**ELEVATION**



**PROFILE**



**ISOMETRIC VIEW**

Buy River, PIP 2/26/01 7:52 AM SH-2406

**SPECIFICATIONS**

INSULATION THK: \_\_\_\_\_  
 SHOE LENGTH: \_\_\_\_\_  
 LOADS: VERTICAL \_\_\_\_\_  
 LATERAL \_\_\_\_\_  
 AXIAL \_\_\_\_\_  
 TEMPERATURE: \_\_\_\_\_

**COMMENTS**

**NOTES**

FUNCTION: USE TO SPECIAL VERTICAL LOADS

PIPE SIZE:	SPECIAL DESIGN
MATERIAL:	SPECIAL DESIGN
INSULATION:	HIGH DENSITY POLYURETHANE WITH VAPOR BARRIER
TEMP. RANGE:	SPECIAL DESIGN
LAYERING SY.:	SPECIAL DESIGN
SHOE LTH(L):	SPECIAL DESIGN
TO ORDER:	SPECIAL DESIGN
LOADS:	SPECIAL DESIGN

FIGURE#: 6080 LNG LINE ANCHOR MODULE  
 DESCRIPTION: ANCHORED SHOE

CLIENT NAME: \_\_\_\_\_  
 PROJECT NAME: \_\_\_\_\_  
 REQUISITION#: \_\_\_\_\_  
 P.O.#: \_\_\_\_\_  
 DWG#: \_\_\_\_\_  
 MARK#: \_\_\_\_\_  
 PT&P JOB#: \_\_\_\_\_  
 DATE: \_\_\_\_\_  
 ITEM#: \_\_\_\_\_

**PIPING TECHNOLOGY & PRODUCTS, INC.**

P.O. BOX 34506  
 3701 HOLMES RD.  
 TELE#: (713) 731-0030  
<http://www.pipingtech.com/>  
 HOUSTON TEXAS 77234  
 HOUSTON TEXAS 77051  
 FAX#: (713) 731-8640  
 E-MAIL: info@pipingtech.com

